

BIG JOE LPE50S/60S/70S **BRUTE**

5,000 to 7,000 lb. 4-wheel Counterbalance Pneumatic Forklift

CAPACITY

5,000/6,000/7,000 lbs. at 24" load center

BATTERY

80v UL-recognized 230Ah / 460AH Li-Ion battery capable of fast charging without the need for regular maintenance or facility infrastructure such as eye wash stations or charging ventilation.

PERFORMANCE

- Travel - 10.5 mph empty / 9.9 mph loaded
- Lift - Up to 98.4 fpm empty / Up to 78.7 fpm loaded
- Lowering - Up to 86.6 fpm empty / Up to 84.7 fpm loaded

OPERATOR COMPARTMENT

The operator compartment is exceptionally spacious due to the purpose-built design for an integrated lithium battery to improve ergonomics and reduce operator fatigue. A large mirror and overhead guard-mounted handrail aids the operator when driving in reverse. The platform provides a high-resolution LED display installed in the upper right corner of the cabin. At a glance, the operator can view speed, directional status, battery state-of-charge, hour meter, and more.

HYDRAULICS

The hydraulic steering system achieves precise and responsive operation, has a simple and reliable structure, and has low maintenance costs.



ELECTRICAL

80v AC controller technology delivers high efficiency and performance while significantly reducing maintenance costs and extending vehicle service life. The battery management system monitors lithium battery performance during operation and charging to help extend battery service life far longer than traditional lead-acid industrial batteries.

DRIVE UNIT AND BRAKES

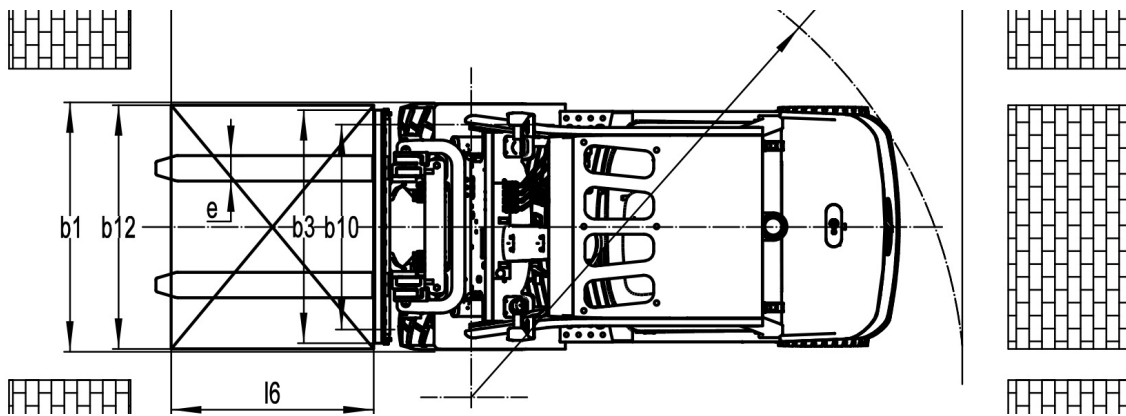
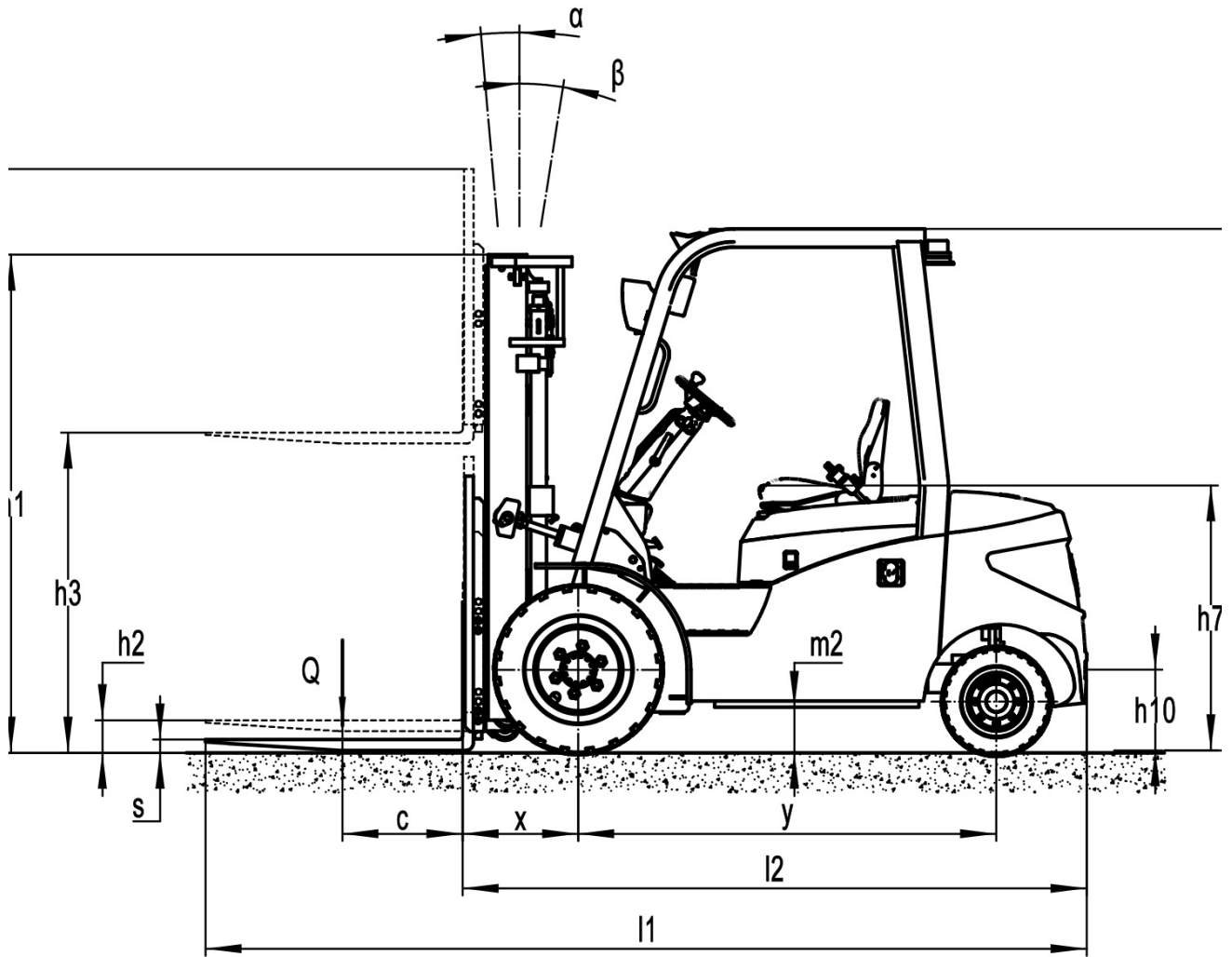
An AC drive motor delivers smooth torque and speed curves matched to vehicle needs in real time for peak efficiency and performance. Regenerative neutral braking extends the duty cycle. The vehicle's hydraulic drum brakes ensure effective stopping power during operation and when on rated grades.

FRAME AND MAST

Heavy-duty steel chassis features a long wheelbase, wide tires, and a low center of gravity for stable operation.

SERVICEABILITY

The onboard programmable display allows for troubleshooting and system adjustments without needing tools. Units can be optionally outfitted with a telematics system that includes cloud-based maintenance monitoring, GPS tracking, and related data services.



Distinguishing Marks	Model			LPE50S	LPE60S	LPE70S
	Drive			Electric	Electric	Electric
	Operator type			Seated	Seated	Seated
	Load capacity	Q	lb.	5000	6000	7000
	Load center distance	c	in.	24	24	24
	Load distance center of drive axle to fork	x	in.	19.5	18.9	19.1
	Wheelbase	y	in.	68.5	68.5	68.5
	Service Weight	Service weight		lb.	9520	10290
Axle loading, laden front/rear			lb.	12665/1855	14280/2010	15925/2101
Axle loading, unladen front/rear			lb.	4510/5010	4544/5746	4522/6474

Dimensions	Tire type			Solid Pneumatic	Solid Pneumatic	Solid Pneumatic
	Tire size, front			7.00-12	28X9-15	28X9-15
	Tire size, rear			18X7-8	200/50-10	200/50-10
	Wheels, number front/rear (x=drive wheels)		in.	2x/2	2x/2	2x/2
	Tread width, front	b_{10}	in.	38.4	39.8	39.8
	Tread width, rear	b_{11}	in.	37.6	37.6	37.6
	Tilt of mast/fork carriage forward/backward	α/β	°	6/10	6/10	6/10
	Retracted mast height	h_1	in.	87.4	86.2	86.2
	Free lift	h_2	in.	47	43.1	43.1
	Lift height	h_3	in.	189	189	189
	Height, mast extended w/std LBR	h_4	in.	229.3	232.1	232.1
	Height of overhead guard (cabin)	h_6	in.	85.2	85.8	85.8
	Seat height/standing height	h_7	in.	43	43.7	43.7
	Tow coupling height	h_{10}	in.	13	13.6	13.6
	Overall length	l_1	in.	141.7	142.1	145.2
	Length to face of forks	l_2	in.	99.6	100	103.1
	Overall width	b_1/b_2	in.	45.4	47.6	47.6
	Fork dimensions	$s \times e \times l$	in.	1.6*4.8*42	1.8*4.8*42	2*4.8*42
	A,B Fork carriage class/type A, B			2A	3A	3A
	Fork carriage width	b_3	in.	41	43.3	43.3
	Ground clearance, laden, below mast	m_1	in.	4.9	5.1	5.1
	Ground clearance, center of wheelbase	m_2	in.	6.7	7.3	7.3
	Right Angle Stack Aisle Width (X+ Wa + 48" pallet load length). Add Clearance		in	158.3	159.3	161.8
Turning radius	Wa	in.	90.8	92.4	94.7	
Performance data	Travel speed, laden/unladen		mph	9.9/10.5	9.9/10.5	9.9/10.5
	Lifting speed, laden/unladen		fpm	78.7/98.4	78.7/98.4	78.7/98.4
	Lowering speed, laden/unladen		fpm	84.7/86.6	84.7/86.6	84.7/86.6
	Max. gradeability, laden/unladen		%	20/25	20/25	18/25
	Service brake			Hydraulic	Hydraulic	Hydraulic
	Parking brake			Mechanical	Mechanical	Mechanical
Electric	Drive motor rating S2 60 min		kW	17	17	17
	Lift motor rating at S3 15%		kW	26	26	26
	Battery voltage/nominal capacity		V/Ah	80V230AH / 80V460AH	80V230AH / 80V460AH	80V230AH / 80V460AH
	Battery weight		lb.	597	597 min	597
Additional data	Type of drive control			AC	AC	AC
	Operating pressure for attachments		PSI	2750	2750	2750
	Oil flow for attachments		GPM	8.5	8.5	8.5
	Steering design			Hydraulic	Hydraulic	Hydraulic
	Sound pressure level at the driver's ear		dB(A)	<74	<74	<74
	Charger output current		A	15, 35, 100, 155	15, 35, 100, 155	15, 35, 100, 155

STANDARD FEATURES

- Rear Blue light Standard
- Headlights, Brake Lights, Turn Signals, Warning Light
- Telematics
- Back up alarm
- Rear Grab Bar with Horn
- Solid Pneumatic Tires
- Adjustable suspension seat with armrests
- Hang-on Side Shifter with 4-function hydraulics
- 189" Mast 3-Stage with Free Lift
- 42" Forks
- 42" Load Backrest
- 48V460ah Li-Ion UL Battery
- Accessory on-board Power/Charging
- Cup Holder
- LED Display with Bluetooth Connectivity
- Rearview mirror
- IPX4 Rating
- Curve Control Speed Reduction

OPTIONAL EQUIPMENT

- 197" Mast 3-Stage with Free Lift
- 48" Forks
- 48" LBR
- 60" LBR
- No Side Shifter with 4-function hydraulics
- Integral side shifter with 3-function hydraulics
- Side Shifting Fork Positioner with 4-function hydraulics
- LED Rear Light
- Front Blue Light
- Red Curtain Lights
- Non-Marking Tires
- Air Conditioner
- Fully Enclosed Cab with Heater and wipers
- 80V230ah Li-Ion UL Battery
- Internal 120/240VAC Charger 15/35A output
- External 120/240VAC Charger 15/35A output
- External Charger 480VAC 3ph Input, 100A Output
- External Charger 480VAC 3ph Input, 155A Output



Learn more at bigjoeforklifts.com
630-916-2600
sales@bigjoeforklifts.com
2777 Finley Rd., Ste 16 Downers Grove, IL 60515

Certification

All units are built to be in compliance with ANSI B56.1 and the Occupational Safety & Health Act (OSHA). Big Lift LLC will not assume liability for injuries or damage arising from, or caused by, the removal of any safety devices from their vehicles by user. Because of the Big Lift LLC continuing product improvements, specifications are subject to change without notice.