

NISSAN
FORKLIFT

SCX Platinum Series

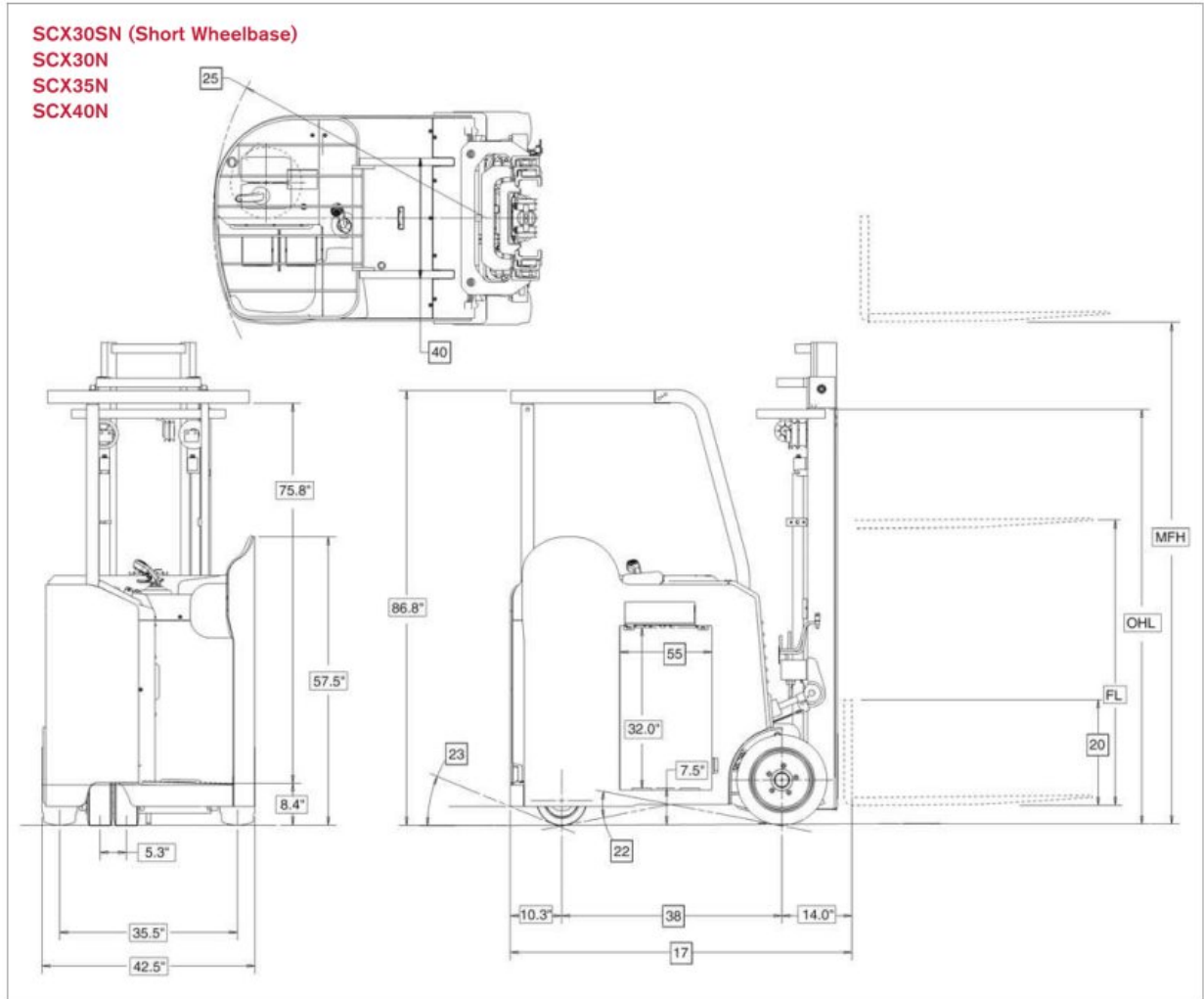
Cushion Tire / 36 Volt Models / 3-Wheel Stand-Up AC-Powered Models

3,000/3,500/4,000 lb.
Capacities



SCX Platinum Series

Dimensions



Mast Specifications & Rated Capacities

Mast Type	Mast Name	Maximum Fork Height	Overall Height				Free Lift		Tilt Angle	Rated Capacity at 24" Load Center			
			Lowered		Fully Extended		FL			SCX30S	SCX30	SCX35	SCX40
			MFH	OHL	With LBR	Without LBR	With LBR	Without LBR					
			in	in	in	in	in	in					
THREE STAGE (Full Free)	3F385	152	71.3	200.9	168.3	23.3	46.9	4/4	3000	3000	3500	4000	
	3F430	169	77.2	218.7	186.0	29.2	52.8	3/5	3000	3000	3500	4000	
	3F475	187	83.1	236.4	203.7	35.1	58.7	3/5	3000	3000	3500	4000	
	3F515	203	88.5	252.3	219.7	40.4	64.0	3/5	2950	2950	3475	3675	
	3F550	217	93.4	265.9	233.3	45.3	68.9	3/5	2900	2900	3350	3425	
	3F600	236	100.9	285.6	253.0	52.8	76.4	3/5	2800	2800	3150	3150	
	3F650	256	110.7	305.3	275.8	62.6	86.2	3/5	2725	2725	2900	2900	
	3F700	276	120.6	325.0	297.4	72.5	96.1	3/5	2625	2625	2700	2700	

3,000/3,500/4,000 lb. capacities

Main Truck Specifications

CHARACTERISTICS			Nissan	Nissan	Nissan	Nissan	1	
1	Manufacturer's Name		Nissan	Nissan	Nissan	Nissan	1	
2	Model	Model designation	SCX30SN	SCX30N	SCX35N	SCX40N	2	
3		Long model code	S1S1L15NV	1S1L15NV	1S1L18NV	1S1L20NV	3	
4	Rated Load Capacity	lb (kg)	3000 (1500)	3000 (1500)	3500 (1800)	4000 (2000)	4	
5	Load Center	Distance	24 (600)	24 (600)	24 (600)	24 (600)	5	
6	Power Type	Electric	36v	36v	36v	36v	6	
7	Operator Orientation		Stand-Up	Stand-Up	Stand-Up	Stand-Up	7	
DIMENSIONS								
8	Tire Type	Front & rear	Cushion Poly	Cushion Poly	Cushion Poly	Cushion Poly	8	
9	Wheels	Number front / rear (x=driven)	2 x / 2	2 x / 2	2 x / 2	2 x / 2	9	
10	Mast	Maximum fork height	187 (4750)	187 (4750)	187 (4750)	187 (4750)	10	
11		Mast lowered (OHL)	82.9 (2105)	82.9 (2105)	82.9 (2105)	82.9 (2105)	11	
12		Mast extended with LBR	236.6 (6010)	236.6 (6010)	236.6 (6010)	236.6 (6010)	12	
13		Standard freelif	58.7 (1490)	58.7 (1490)	58.7 (1490)	58.7 (1490)	13	
14		Mast width (rail width)	24.8 (630)	24.8 (630)	24.8 (630)	24.8 (630)	14	
15	Forks	Length x width x thickness	42 x 4 x 1.5 (420 x 100 x 40)		42 x 4 x 1.5 (420 x 100 x 40)		15	
16	Tilt Angle	Standard mast - fwd/back	3 / 5	3 / 5	3 / 5	3 / 5	16	
17	Overall Dimensions	Length (to face of forks)	66 (1680)	68.2 (1735)	68.2 (1735)	70.5 (1790)	17	
18		Width (standard tires)	42.5 (1080)	42.5 (1080)	42.5 (1080)	42.5 (1080)	18	
19		Height - top of OHG	86.8 (2205)	86.8 (2205)	86.8 (2205)	86.8 (2205)	19	
20		Height - top of standard LBR	48 (1220)	48 (1220)	48 (1220)	48 (1220)	20	
21		Width - standard carriage	36.2 (920)	36.2 (920)	36.2 (920)	36.2 (920)	21	
22	Grade Clearance	Ramp breakover angle	43.3	40.8	40.8	38.4	22	
23		Departure angle	41	41	41	41	23	
24	Overhang	Front / rear	14 (355) / 10.3 (260)	14 (355) / 10.3 (260)	14 (355) / 10.3 (260)	14 (355) / 10.3 (260)	24	
25	Turning Radius	Minimum outside	52.3 (1330)	54.5 (1385)	54.5 (1385)	56.8 (1445)	25	
26	Min Right Angle Stack	Add load length & clearance	66.3 (1685)	68.5 (1740)	68.5 (1740)	70.8 (1800)	26	
PERFORMANCE								
27	Speeds Maximum	Travel - loaded / unloaded	7.8 (12.6) / 8.0 (12.9)	7.8 (12.6) / 8.0 (12.9)	7.8 (12.6) / 8.0 (12.9)	7.6 (12.2) / 8.0 (12.9)	27	
28		Lift - loaded / unloaded	71 (362) / 114 (577)	71 (362) / 114 (577)	66 (334) / 114 (577)	62 (317) / 114 (577)	28	
29		Lowering - loaded / unloaded	92 (469) / 93 (472)	92 (469) / 93 (472)	91 (463) / 93 (472)	93 (470) / 93 (472)	29	
30	Gradeability Maximum	Full load	29.1	27.6	26.9	26.1	30	
WEIGHT								
31	Truck Weight	Empty, min. battery	8240 (3740)	8445 (3830)	9370 (4250)	10435 (4735)	31	
32	Weight Distribution	Full load - min. battery - front	9655 (4380)	9955 (4515)	11030 (5005)	12755 (5785)	32	
33		Full load - min. battery - rear	1585 (720)	1490 (675)	1840 (835)	1680 (765)	33	
34		No load - min. battery - front	3920 (1780)	4330 (1965)	4480 (2030)	5220 (2370)	34	
35		No load - min. battery - rear	4320 (1960)	4115 (1865)	4890 (2220)	5215 (2365)	35	
CHASSIS & WHEELS								
36	Tire Size	Front	18 x 7 x 12-1/8	18 x 7 x 12-1/8	18 x 7 x 12-1/8	18 x 7 x 12-1/8	36	
37		Rear	10 x 5 x 6-1/2	10 x 5 x 6-1/2	10 x 5 x 6-1/2	10 x 5 x 6-1/2	37	
38	Wheelbase		41.8 (1065)	43.9 (1115)	43.9 (1115)	46.3 (1175)	38	
39	Tread - Center of Tire	Front / rear	35.5 (900) / 5.3 (135)	35.5 (900) / 5.3 (135)	35.5 (900) / 5.3 (135)	35.5 (900) / 5.3 (135)	39	
40	OHG Post Spread	Outside-to-outside	24 (610)	24 (610)	24 (610)	24 (610)	40	
41	Chassis Height		57.5 (1460)	57.5 (1460)	57.5 (1460)	57.5 (1460)	41	
42	Headroom	Floor to bottom of OHG	75.8 (1925)	75.8 (1925)	75.8 (1925)	75.8 (1925)	42	
43	Ground Clearance	Lowest point	2.1 (55)	2.1 (55)	2.1 (55)	2.1 (55)	43	
44		Under frame, center of wheelbase	4.0 (100)	4.0 (100)	4.0 (100)	4.0 (100)	44	
45	Service Brake	Type	Regen	Regen	Regen	Regen	45	
46	Parking Brake	Type	Auto-Applied / Electronic Release		Auto-Applied / Electronic Release		46	
47	Steering	On-demand	Hydraulic	Hydraulic	Hydraulic	Hydraulic	47	
48	Traction Motor	Type	AC Induction	AC Induction	AC Induction	AC Induction	48	
49		Control type	AC Inverter	AC Inverter	AC Inverter	AC Inverter	49	
50	Pump Motor	Type	AC Induction	AC Induction	AC Induction	AC Induction	50	
51	Hydraulic Control		Electroproportional	Electroproportional	Electroproportional	Electroproportional	51	
BATTERY								
54	Battery Compartment Size	W x H - Maximum	38.5 x 32 (975 x 810)		38.5 x 32 (975 x 810)		54	
55		L - Maximum	16.3 (415)	18.4 (465)	18.4 (465)	20.8 (530)	55	
56	Battery	Lead acid	Type	18-125-13	18-125-15	18-125-15	18-125-17	56
57		Max. Capacity - 6 hr. rating	Ah	930	1085	1085	1240	57
58	Weight	Minimum / Maximum	1885 (855) / 2400 (1085)	2175 (990) / 2700(1225)	2175 (990) / 2700 (1225)	2460(1115) / 3000(1360)	58	
59	Lead Length	Position B / SB-350 Gray	14 (355)	14 (355)	14 (355)	14 (355)	59	

Technical Information **Platinum SCX Series**

Standard Equipment

- 36-volt electrical system
- AC-powered hydraulic pump motor and dual drive motors
- Multi-function LCD display
- BDI with lift interrupt
- Three hour meters
- Speedometer
- Steer tire position indicator
- On-board diagnostics with built-in test equipment
- Operator security PIN access
- Parking brake warning light and operator presence indicator light
- Three pre-set standard performance modes—economy, power, high settings, along with a manual setting
- Nissan's operator presence system includes return-to-neutral and mast-lockout
- Reduced speeds and restricted tilt above freelif
- Emergency stop button
- Side-stance operator compartment with low step height
- Anti-fatigue cushioned floor mat
- Back and armrest padding
- Integrated clipboard and amenity tray
- Multi-function control handle
- On-demand priority hydraulic power steering with tiller control
- Four -mode regenerative braking
- Auto-applied parking brake with anti-rollback feature
- Four-piece reinforced overhead guard—designed for use with drive-in racking*
- Battery compartment rollers and gates
- Large 18" diameter poly drive tires with anti-static ground strap

Optional Equipment

- Standard or polished and tapered forks in a variety of lengths
- Side shifters, auxiliary hydraulics or 4-spool valve
- Single or dual IHR
- Micro siped poly tires
- Battery gate interlock switch
- Front LED headlights
- Rear LED work light
- Strobe light
- Fire extinguisher
- Freezer package for environments as low as -20°F (-29°C)
- Low overhead guard (B3.3")
- Operator knee pad
- Reverse steering
- Travel alarms
- Tilt cylinder boots
- Operator light and fan

*Verify mast design and width for use in applications with drive-in racking

Enhanced Operator Comfort & Productivity

The Platinum SCX Series offers a variety of operator conveniences for enhanced comfort and increased productivity. The low step height is ideal for operators whose daily tasks require repeatedly getting on and off the truck throughout the shift. The operator compartment's side stance design provides for comfortable forward or reverse driving, and includes a gently sloped floorboard, providing a relaxed driving position.

The SCX Series offers uniquely comfortable driving due to its floor-board design, which floats on vibration isolators, effectively dampening the effects of riding over dock plates or floor joints. Also included is an anti-fatigue cushioned floor mat for a smoother, more comfortable ride.

The operator platform includes a dual-pedal system—with brake release pedal on the left and an operator presence pedal on the right. Operator comfort is enhanced with thick padding located beneath the operator's arm, back and hip, and with an optional cushion for knees and legs.

Nissan's ergonomically designed multifunction control handle offers simultaneous control of drive, lift and lower, as well as horn and auxiliary hydraulic functions. The tiller controlled, AC powered, on-demand hydraulic power steering system reduces operator effort, for easier maneuvering.

The LCD dash display visibly communicates truck status and warnings for operator awareness including: travel speed, battery capacity, hour meter, brake warning, operator presence warning, and selected power mode.

Wide canopy channels and an angled front crossbar produce greater visibility at higher lift heights, for increased operator confidence and improved productivity. Low front profile offers enhanced fork tip visibility.

The SCX Series' standard safety features include: Return-to-Neutral and Mast Lock (automatically locking mast lift and tilt) when the operator presence pedal is released, Turn Control (automatic restriction of travel speed and acceleration during turning), Lift Control (restricting lift speed at faster travel speeds), and Controlled

Rollback with Ramp Hold (reducing and stopping truck movement down a gradient).

Controllability enhancements above free lift include: reduced traction and lift speed, reduced tilt speed and angle, vertical tilt stop with override, reduced sideshift speed, and reduced regenerative braking force.

Features for Increased Efficiency

The SCX Series' highly reliable CANBus network constantly monitors the commands that the operator sends, responding instantly at extremely efficient levels, resulting in less battery energy being consumed, while achieving greater performance. The adjustable auto-power off system shuts off truck power after 15 minutes of non-operation.

Battery and Electrical

Available with a 36-volt electrical system, the IP65 rated motor controllers feature transistorized power inverters for DC to three phase AC power conversion. The single contactor design reduces maintenance. An emergency stop/power disconnect button shuts off truck power in case of an emergency.

Brake System

Adjustable regenerative braking brings the truck to a smooth, controlled stop, when the foot brake is released, the direction lever is in neutral, or while plugging. The disc brakes are applied automatically when the truck travel speed is zero and no direction command has been given. The spring applied/electronic released disc brakes are mounted directly to the drive motors, with no brake cylinders or hydraulic brake fluids.

Truck and Mast Design

The SCX Series' rugged frame design features a contoured, rounded design for enhanced maneuverability. The four-piece reinforced overhead guard design allows easy replacement should individual components become damaged.

Nissan's flat face mast design features rolled steel channels, large cross sections, and thick inner rails for increased capacity retention. Side thrust rollers on the fork carriage are easily accessed for carriage adjustment.

Drive Unit

Dual front wheel drive provides excellent traction and braking power.

Rugged dual AC drive motors offer more power and quicker response. The SCX Series' individually controlled, AC powered, drive motors mean power is transferred to each motor independently, depending upon turn angle input. For tighter turns, the inner wheel counter-rotates allowing greater maneuverability.

Hydraulics

Powerful AC hydraulic pump motor powers lift and tilt operations, as well as the on-demand power steering system. An electro-proportional hydraulic valve allows smooth feathering and precise control, for improved load handling.

Reduced Maintenance

The Platinum SCX Series features a 100% AC-powered system, including dual brushless drive motors and a brushless hydraulic pump motor. On-demand steering, achieved through a priority hydraulic load sensing valve, eliminates the use of a separate steer motor. The design greatly reduces the number of serviceable parts, including commutators, contactors, and brushes; eliminating expenses related to inspection and replacement of these items, for lower overall operating costs.

The SCX controller includes a built-in test-equipment module with on-board diagnostics and coded service history, logged by hour meter reading. The smart LCD meter panel offers an intuitive on-board diagnostics display, and access to the truck's service history, making troubleshooting faster and easier, for less downtime and more productive working hours. Because all of this can be accomplished directly from the meter panel, no hand-held device or system is required.

As a safeguard, all motors and controllers have thermal protection as standard. In the event that overheating occurs, an LED will warn the operator, and the truck's performance level will automatically be reduced—allowing the operator to complete his or her task before returning to the service area for further cool-down.

When scheduled maintenance is required, the SCX provides exceptional access through its top and front panels.



ISO 14001:2004
NISSAN GREEN PROGRAM

Nissan Forklift Corporation reserves the right to make product changes relating to colors, equipment, specifications or available options without notice. For more information, contact your Nissan Forklift representative.

www.nissanforklift.com

NISSAN
FORKLIFT

SS-SCXN 01-09
Printed in U.S.A.