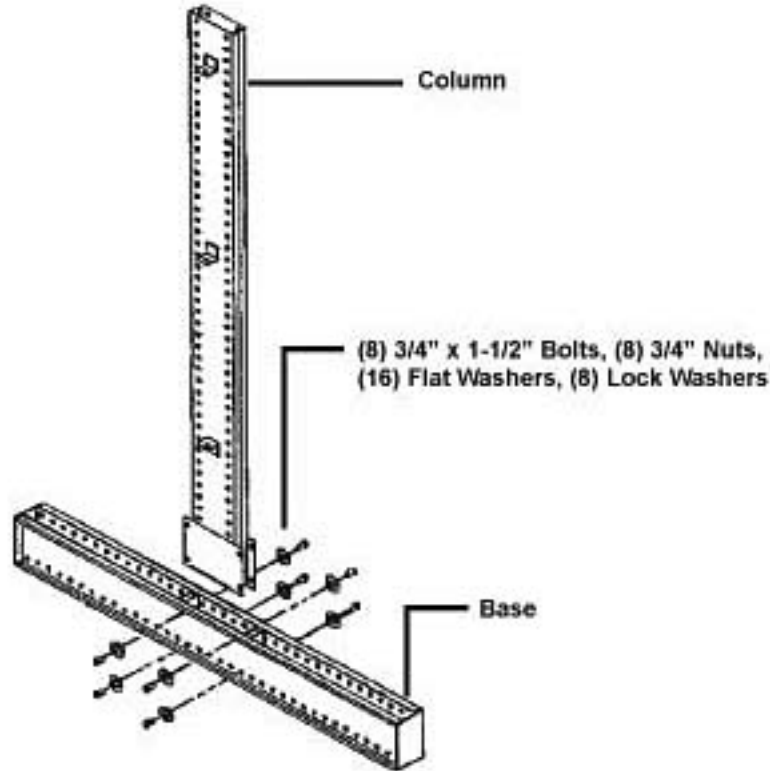


INSTALLATION INSTRUCTIONS FOR CANTILEVER RACK

STEP 1:

Assemble column to base with Nuts and Bolts provided.



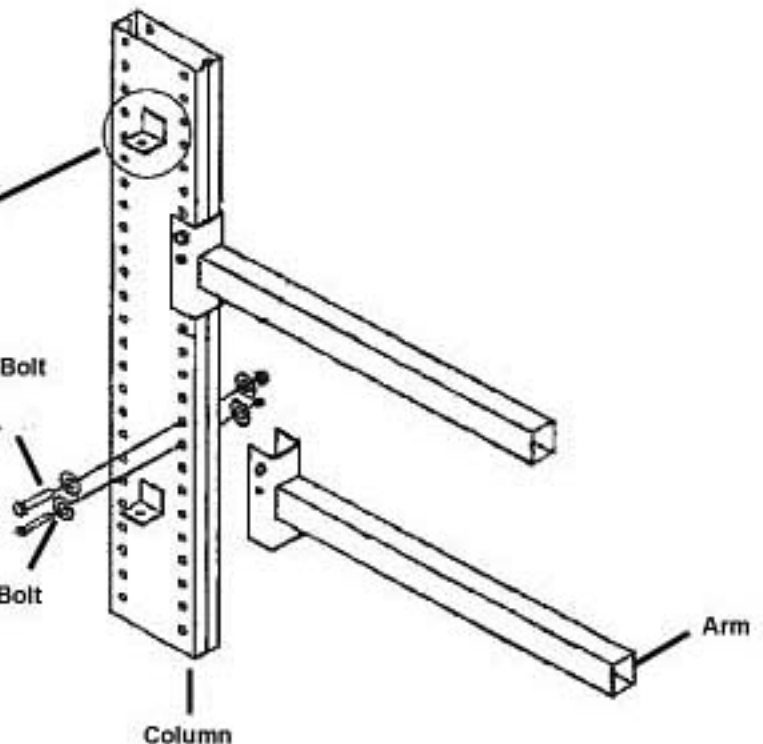
STEP 2:

Place arms on columns at locations determined by customer (some 3" increment vertically). Place 3/4" bolt set through arm and column. Seat arm as shown above then tighten. Insert 1/2" bolt set through bottom hole and tighten.

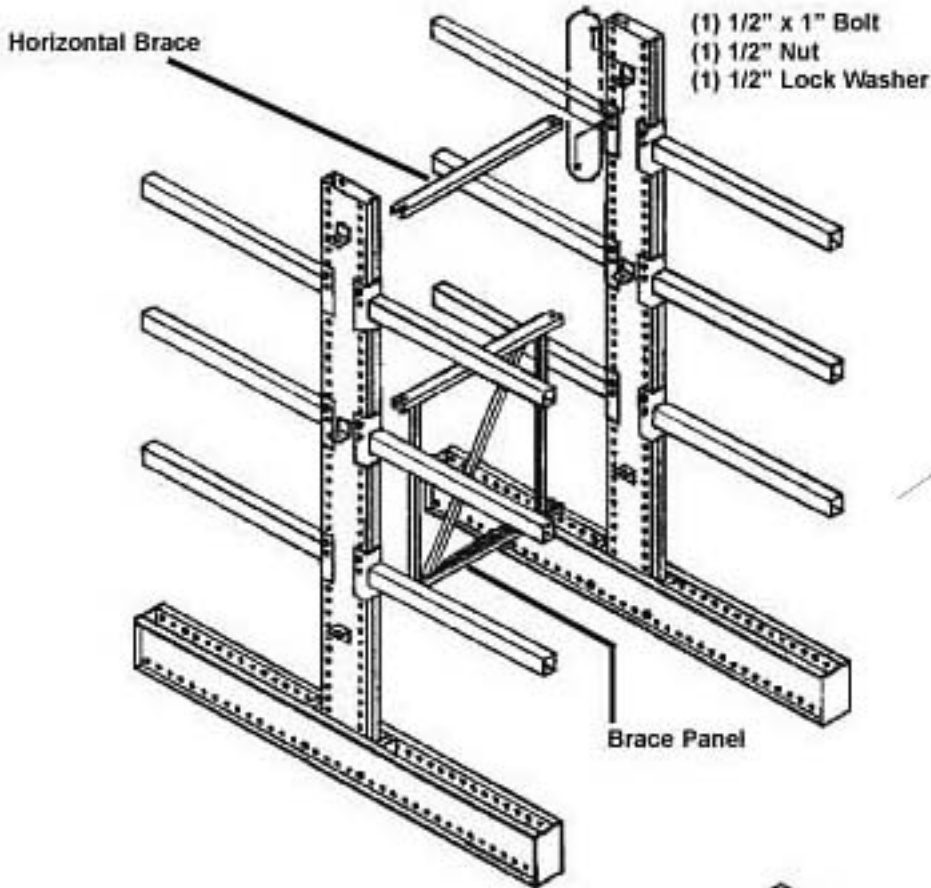


(1) 3/4" x 5-1/2" Bolt
(1) 3/4" Nut
(2) Flat Washers

(1) 1/2" x 5-1/2" Bolt
(1) 1/2" Nut
(2) Flat Washers



INSTALLATION INSTRUCTIONS FOR CANTILEVER RACK



STEP 3:

After in position bolt brace panel(s) and horizontal brace(s) (if required) to columns and tighten bolts.

STEP 4:

When up and in position, shim columns so they are plumb and anchor. Fill rest of row by adding assembled columns and brace panels as required.

