

MANUAL PALLET TRUCK OPERATOR DAILY CHECKLIST



DATE	<input type="text"/>	INSPECTED BY	<input type="text"/>
MAKE	<input type="text"/>	MODEL	<input type="text"/>
SERIAL NUMBER	<input type="text"/>		

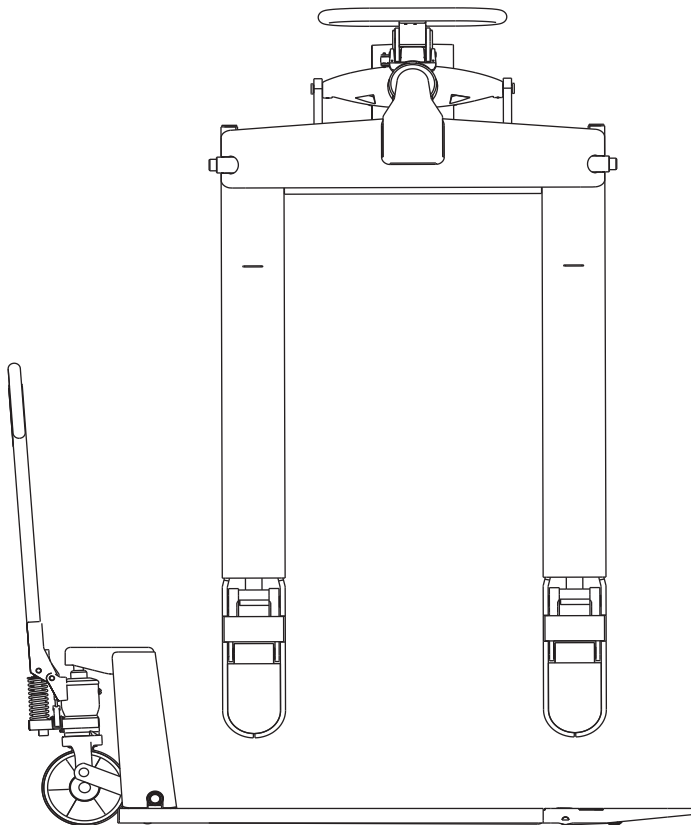
MARK CIRCLE If NO PROBLEMS Visible. KEEP UNMARKED and WRITE IN Comment if PROBLEMS ARE PRESENT.

DAILY INSPECTIONS

Write Comments

- | | |
|---|---|
| 1 | <input type="radio"/> Inspect Load Wheels & Axles (Debris / Loose) |
| 2 | <input type="radio"/> Test Lift / Lower Handle |
| 3 | <input type="radio"/> Check For Worn Handle Pins |
| 4 | <input type="radio"/> Check For Hydraulic Pump Leaks |
| 5 | <input type="radio"/> Inspect Steer Wheels & Axles (Debris / Loose) |
| 6 | <input type="radio"/> Check For Worn Pull Rod Linkage |

SIGNATURE: _____



WARNING: All parts and items which may need inspecting are not reflected in this worksheet. Operators are responsible for guaranteeing that the equipment is in proper working condition and in conformance with specifications. If any problems are found - DO NOT operate the equipment and immediately notify supervisor or manager.



ARE YOU CERTIFIED?
To Find Out More
CALL BIG JOE 510-785-6900