



J2 Joey

Low Level Order Picker

Patents Pending

CAPACITY

2000 lbs. total vehicle capacity

- 300 lbs. operators compartment
- 1,500 lbs. @ 24" LC on forks
- 200 lbs. rear work platform

BATTERY

Compartment: 29.1" x 10.8" x open.
Anderson 175 Gray—A-11
Minimum battery weight 700 lbs.

PERFORMANCE

MAXIMUM LIFT HEIGHTS

48" operator PLATFORM, 72" forks

TRAVEL SPEED

Variable from 0 mph to 4.8mph

LIFT

Up to 42 fpm

WHEELS / TIRES DRIVE

- (1) 9" x 3" polyurethane STABILITY
- (2) 3" x 2" polyurethane LOAD
- (2) 6" x 3.5" polyurethane

ELECTRICAL

Dual 24-volt ZAPI ACO travel and power steering controllers.

LCD dash board displays hour meter, battery state of charge, travel speed, drive wheel directional indicator, and fault codes.

AC drive motor provides high torque throughout the entire drive range. The brushless design of AC motors drastically reduces maintenance costs while extending duty cycle. Travel speed remains constant relative to throttle position regardless of the load on truck.

(4) Selectable travel speed settings and a global turtle travel speed setting can be used to tailor equipment performance to the experience level of the operator and use.

MAST

Heavy duty I-beam design provides excellent stability at height. Steel mast channels and side mounted lift cylinders increase total vehicle capacity and service life.

CHASSIS

Three point chassis design with along with 180° drive motor steering arc provides exceptional maneuverability. Powerhead mounted stability casters add additional truck stability and operator confidence at working heights.

OPERATOR COMPARTMENT

Ergonomic fingertip control for travel, lift, and lower functions provide the operator with logical intuitive drive characteristics while traveling at elevation or lowered.

The operator compartment is designed for comfort and features a ergonomic floor mat and features a forward and backrest cushion. Retractable compartment side-rails allow for easy egress from either side of the vehicle.

REGENERATIVE BRAKES

Regenerative braking is applied when the operator removes their hand from travel control or when plugging occurs. An electromagnetic parking brake is applied after the truck is stopped.

STANDARD FEATURES

- Mini mast with 36" forks
- Non-marking tires
- Rear Flashing Light
- Battery Compartment Rollers

OPTIONAL EQUIPMENT

- Forward controls
- 12 volt accessory power adapter
- 224 Amp Hour Maintenance Free Battery Pack w/110V Plug-In Charger

OPERATOR CONTROLS

Left Hand



360°
Tiller Steering

Right Hand

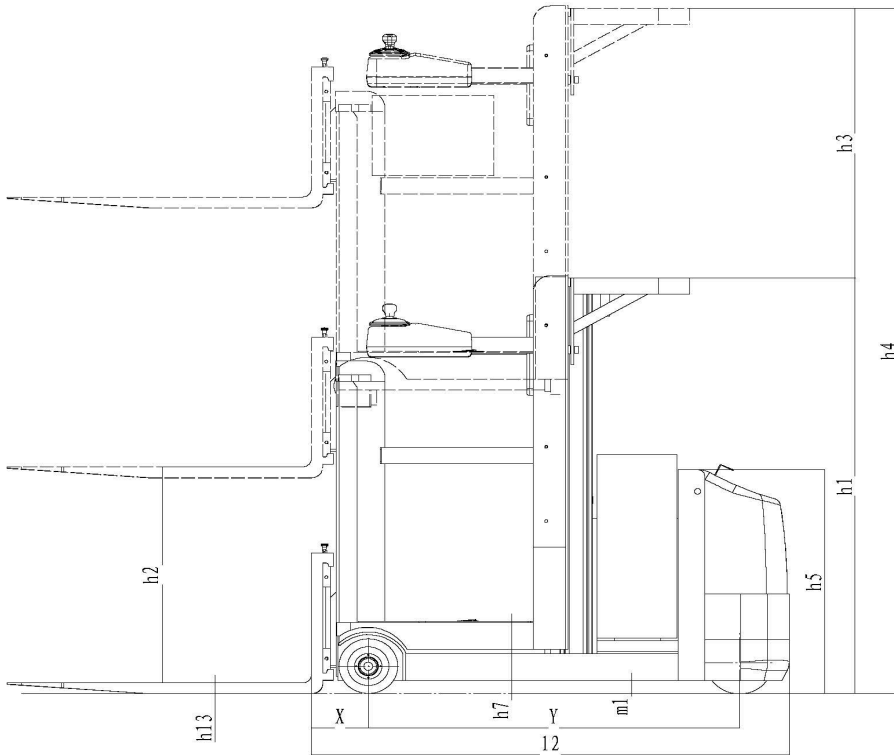


Travel, Lift, Lower, Key
Switch and EPD Controls

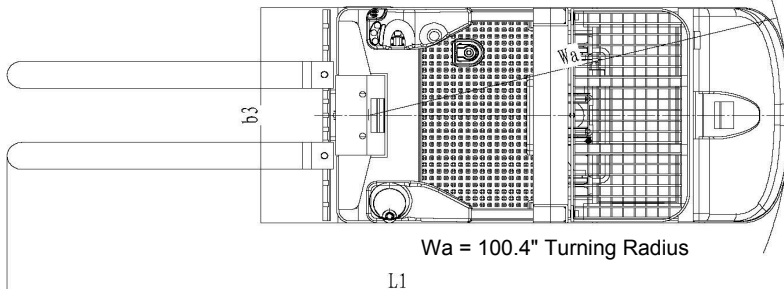
J2 Joey

2,000 lbs. total vehicle capacity
Low Level Order Picker

DIMENSIONS

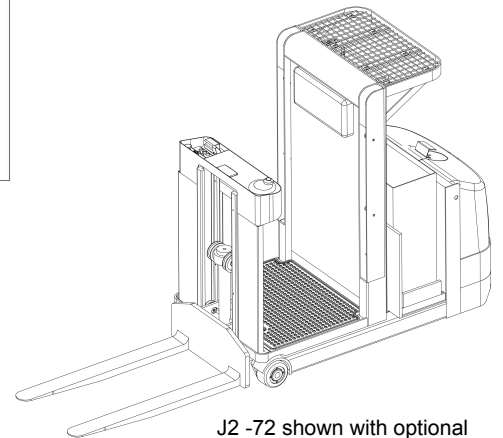


h7 = 8.75" Lowered operator platform height



Wa = 100.4" Turning Radius

J2 JOEY



J2 -72 shown with optional front operator controls

Model #	Mast	Lift Height	Col Height	Extended Height	Overall Width	Overall Length	³ Weight Chassis Only
		h2+h3	h1	h4			
J2-72	Single Stage	72"	62"	102"	31.5"	99.5"	2874

2,000lbs. total vehicle capacity (1,500lbs @ 24" load center mini mast, 300lbs operator, 200lbs rear work tray).

³ Estimated shipping weight without battery



Big Lift LLC
www.bigjoeforklifts.com
630-916-2600

All units are built to be in compliance with the Occupational Safety & Health Act (OSHA) ANSI Compliant - Patents Pending
Big Lift LLC will not assume liability for injuries or damage arising from, or caused by, the removal of any safety devices from their vehicles by user. Because of the Big Lift LLC policy of continuing product improvements, specifications are subject to change without notice.

© Copyright 2015, Big Lift LLC Printed USA 0115